

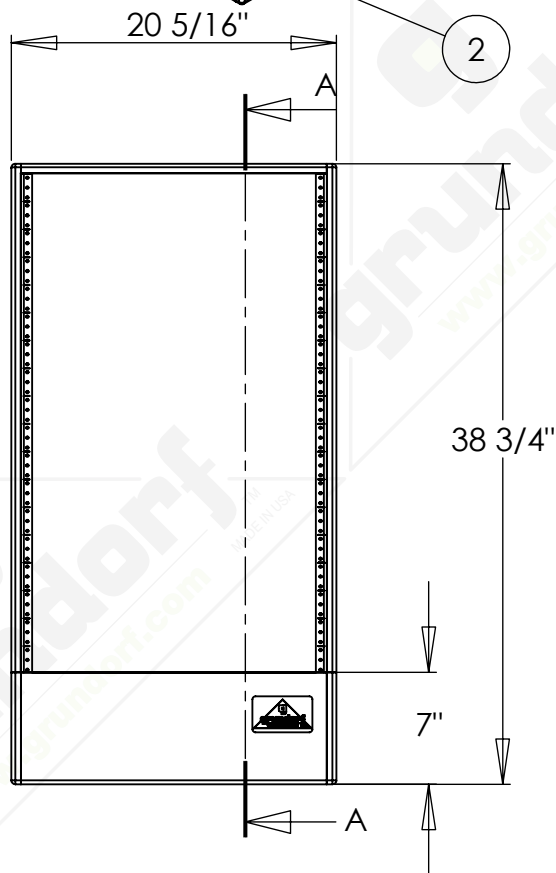
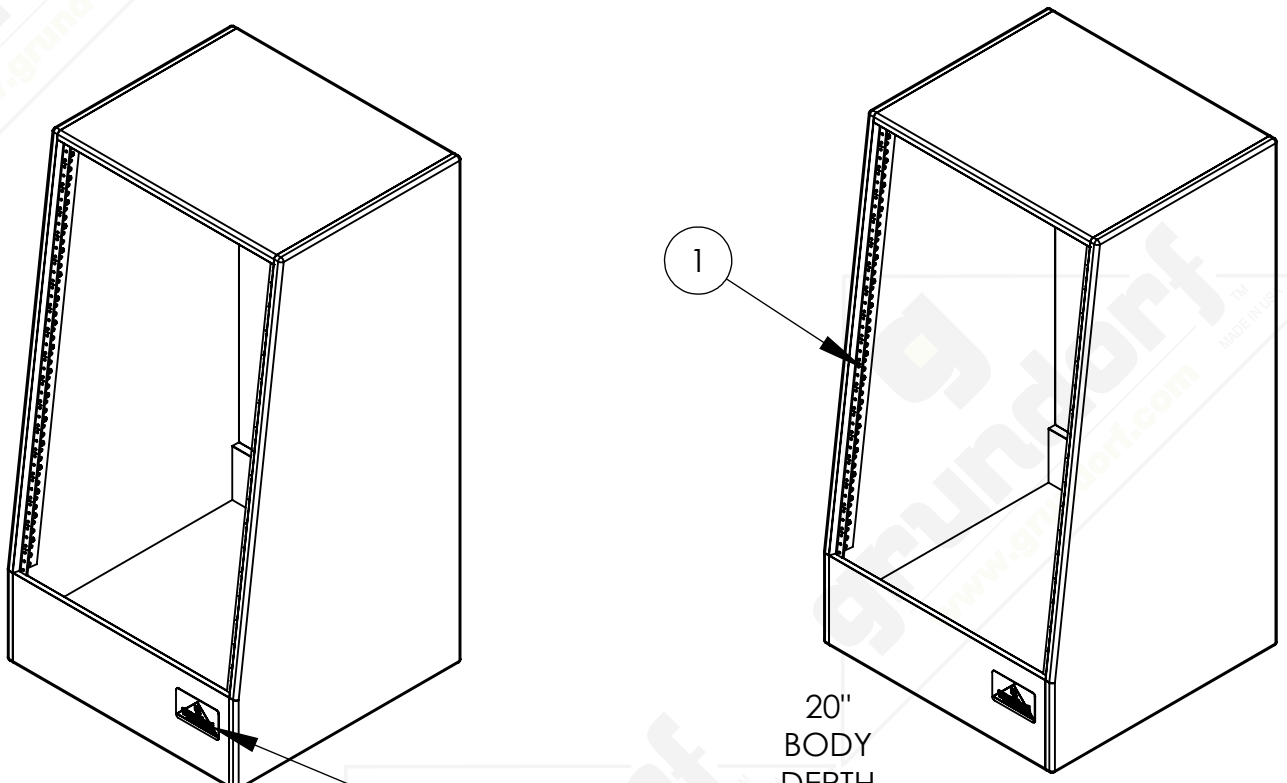
SLB-18

Slant Rack Birch - 18 Space - 15 7/16" to 18 13/16" - Rackable Depth

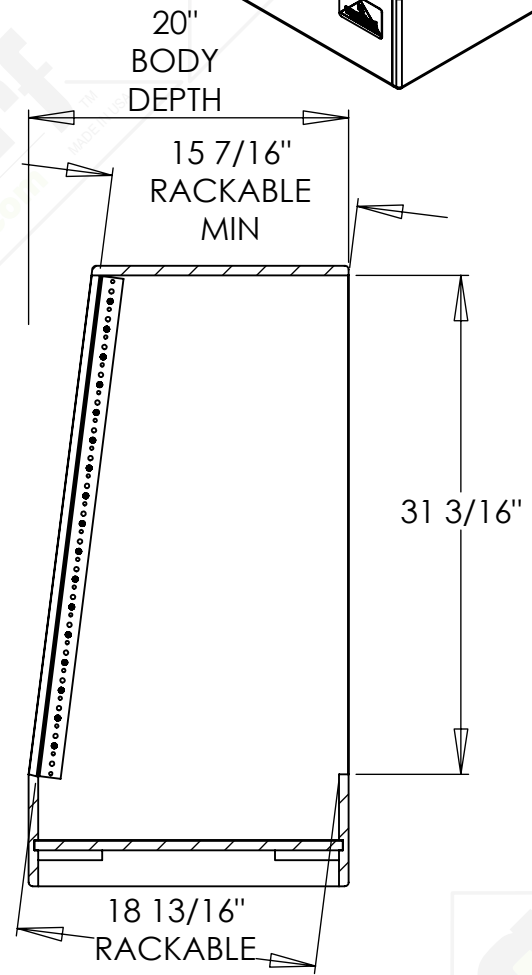
**grundorf**  
corp™

www.grundorf.com • (712)-322-3900

#	QTY	PART NUMBER	DESCRIPTION
1	2	41-018	RACK RAIL-18 SPACE
2	1	83-008	BADGE - GRUNDORF ORIGINAL



FRONT VIEW



SECTION A-A